

# CHLORIDE

by Signify

## Exit/Emergency

45V series

Architectural LED edge-lit exit sign



Project: \_\_\_\_\_  
 Location: \_\_\_\_\_  
 Cat.No: \_\_\_\_\_  
 Type: \_\_\_\_\_  
 Lamps: \_\_\_\_\_ Qty: \_\_\_\_\_  
 Notes: \_\_\_\_\_

### Example: 45VL1RCAL

Item Type	Mounting <sup>2</sup>	Housing Finish <sup>10</sup>	Directional Indicator	Family	No. of Faces	Letter/Panel Color	Options
Blank – Complete Exit Sign includes: trim, panel and back box, or any surface mounted sign. T – Trim and Panel only! (Not an option on surface mounted signs)	Blank – Ceiling W – Wall <sup>3</sup> E – End SC – Surface Ceiling Mount SW – Surface Wall Mount <sup>3</sup> SP – Pendant Mount (Pendant assembly ordered separately)	Blank – Satin Aluminum W – White B – Black BZ – Dark Bronze	Blank – No chevrons AL – Left AR – Right AD – Left & Right LR – Left or Right for Double Face	45VL – LED (AC Only) ER45VXL – Emergency LED w/Xtest	1 – Single Face 2 – Double Face	RC – Red on Clear <sup>3</sup> RW – Red on White RM – Red on Mirror <sup>4</sup> GC – Green on Clear <sup>3</sup> GW – Green on White GM – Green on Mirror <sup>4</sup>	2C – 2 Circuit Input <sup>5,6</sup> FI – Fire Alarm Flashing Interface <sup>6,7</sup> SW – Special Wording SA – Salida

### Footnotes

- <sup>1</sup>Back Box (rough-in-section) to be ordered separate only when early installation is required.
- <sup>2</sup>All exits are recessed mounted, unless indicated to be surface mounted. End mount not available in surface mount.
- <sup>3</sup>Single face exit only.
- <sup>4</sup>Mirror background simulates clear background on single or double face.
- <sup>5</sup>Specify 45VL non-battery exit when this option is required.
- <sup>6</sup>When ordering Back Box (rough-in-section) include option indicator in catalog number. Example: BB45VL2C. But, do not designate the "2C" or "FI" option in the Catalog No. when ordering the separate trim & panel item.
- <sup>7</sup>Not available in surface mount.
- <sup>8</sup>Supplied with exit unless "T" prefix is specified.
- <sup>9</sup>Can not be used for surface mount.
- <sup>10</sup>Custom colors are available. RAL# must be provided.

CHEVRON Indicator	DIRECTION Panel Front	LEGEND Panel Back
AL (single face)	<EXIT	
AR (single face)	EXIT>	
AD (single face)	<EXIT>	
LR (double face)	<EXIT	EXIT>
AD (double face)	<EXIT>	<EXIT>

Catalog No.*	Canopy	Finish
P31	Square	Aluminum
P31B	Square	Black

\* The Pendant Assembly provides 12" between the ceiling and top of housing. For other lengths, add length in inches after Catalog No. (SP – Surface Pendant signs only)

### Back Boxes<sup>6,8,9</sup> (When rough-in section ordered separately)

Unit	Catalog Number	Description
45VL	BB45VL	Single or Double Face, Red or Green, AC only
ER45VXL	BBER45VXL	Single or Double Face, Red or Green, Emergency

Cut-out Dimension: 14-5/8" x 2-5/8"

# 45V Architectural LED edge-lit exit sign

## codes and standards

- UL listed to Standard 924
- NFPA 101 (Life SafetyCode)
- NEC 70 (National Electric Code) and OSHA Standards
- California Energy Commission

## construction

- Universal mount recessed back box is constructed of 20 gauge zinc-plated steel and contains electronics and battery.
- Exit panel is ultrasonically welded together to eliminate visible hardware.
- Extruded aluminum trim plate on recessed mounted exit signs fit flush on ceiling or wall. Standard finishes are provided in brushed aluminum, white or black. Custom finishes are available.
- Panel is injection molded wedge shape acrylic panel.
- 6" letters with 3/4" stroke.
- Precision molded letters and chevrons (red or green).
- Clear background with optional white or mirror inserts.
- Special Wording available on panel face.

## installation

- The recessed back box (rough-in-section) requires a 14-5/8" x 2-5/8" cut out.
- Back box is universal to accommodate recessed ceiling, wall or end mount applications. Surface mounted exits do not require a recessed back box.
- Includes hanger bars for easy mounting.
- The leads on electronics and battery contained in back box include mating plugs to simplify installation.

## Xtest

Xtest self-diagnostic/self-testing management system is standard.

- Multiple LED indicators flash warnings when attention is needed
- Micro-controller verifies all systems operation
- Exceeds all UL and NFPA requirements for self-testing.
- Full open circuit testing every hour.

## Testing Specifications

### Automatic Test:

The system charger and lamps are continually being controlled via pre-determined parameters specific to each model configuration, automatically. The battery is controlled via a true open circuit test each hour after initial installation. Every thirty days the System illuminates lamps under load for 30 minutes, simulating a power outage with a true charger off condition, without affecting long-term battery life. This is above and beyond the requirements of the National Electric Code and/ or the National Fire Protection Association. This gives you unequalled control and confidence, knowing you are meeting self-test code requirements each and every month.

### Manual Test:

A manual test switch allows for the system to perform the following tests any time:

Press Button:

Once - 5 second, charger off, no load

Twice - 60 second, charger off, lamps on

Three - 90 minute, charger off, lamps on

6 second hold - fully reinitializes

microprocessor

Pressing once during any test will cancel/ abort testing.

## electronics

- Dual input voltage : 120/277VAC
- Standard emergency electronics provide a state-of-the art self-test/self-diagnostic circuitry.
- Features an exclusive system that aids in correcting wiring mistakes by checking power and wiring before applying a load to system components.
- All emergency units have built-in circuitry protection/low-voltage battery disconnect and transformer isolation.
- Solid state charger, test switch and green LED AC status indicator along with three red fault indicators.
- Power Consumption
  - AC Only: (single or double)  
Red = 2.9 Watts, Green = 3.5 Watts
  - Emergency Only: (single or double)  
Red = 2.9 Watts, Green = 3.5 Watts
- Exits are available with a flashing interface optional feature for connecting to Fire Alarm System (24 VDC signal).
- Two circuit (2C) input is also available on "AC only" exits.

## LED

- The 45VL and ER45VXL exits utilize high lumen output light emitting diodes (LEDs) for greater visibility and uniformed illumination. The LEDs are independently wired with multiple circuits.

## battery

- Maintenance free, sealed nickel cadmium battery.
- Operating temperature range of -20°C to 40°C (-4°F to 104°F).
- Provides a minimum of 90 minutes of emergency illumination.

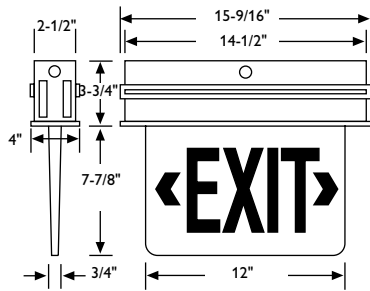
## warranty

- Five year warranty on unit.

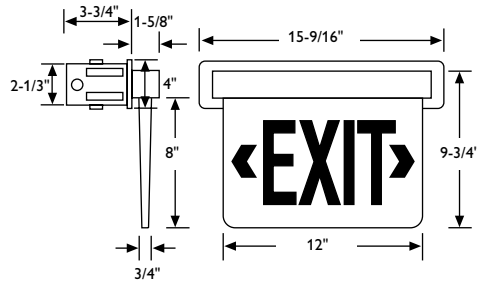
# 45V Architectural LED edge-lit exit sign

## Dimensions

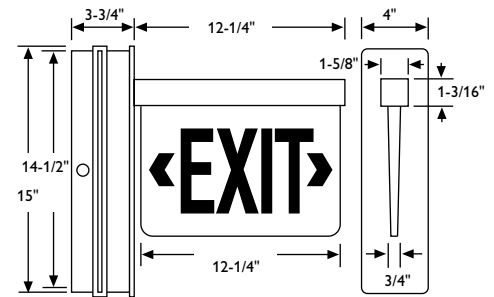
### Recessed Ceiling



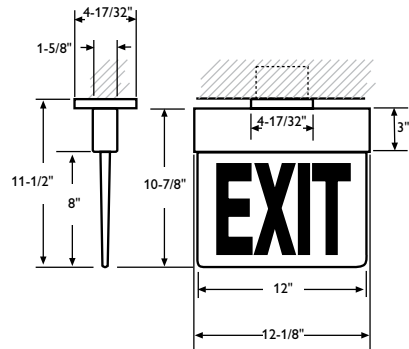
### Recessed Wall



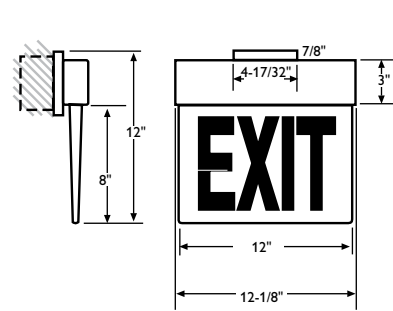
### Recessed End



### Surface Ceiling



### Surface Wall



### Surface Pendant

