

BOXLED® FLOOD

NEMA 4X | IP66 | IK09 | COLD



FLOODLIGHT

- **BOXLED® FLOOD** design is based on performance and reliability. IP66 and IK09 ratings make it ideal for commercial and industrial applications.
- **REFLECTOR:** Parabolic aluminium reflector and microprismatic tempered glass diffuser provides optimized light distribution and glare reduction.
- The **BOXLED® FLOOD** is wet location, IP66 rated. Durable powder coated die-cast construction provides resistance against corrosion, flame and chemicals.
- **LUMENS:** **LO:** 14993 up to 16430 lm
HO: 23776 up to 26076 lm
- **OPERATING TEMP:**
HT (AC Only) -22°F to 104°F (-30°C to 40°C)
EM 32°F to 104°F (0°C to 40°C)
- **WEIGHT:** 17 lbs / 7.7 kg



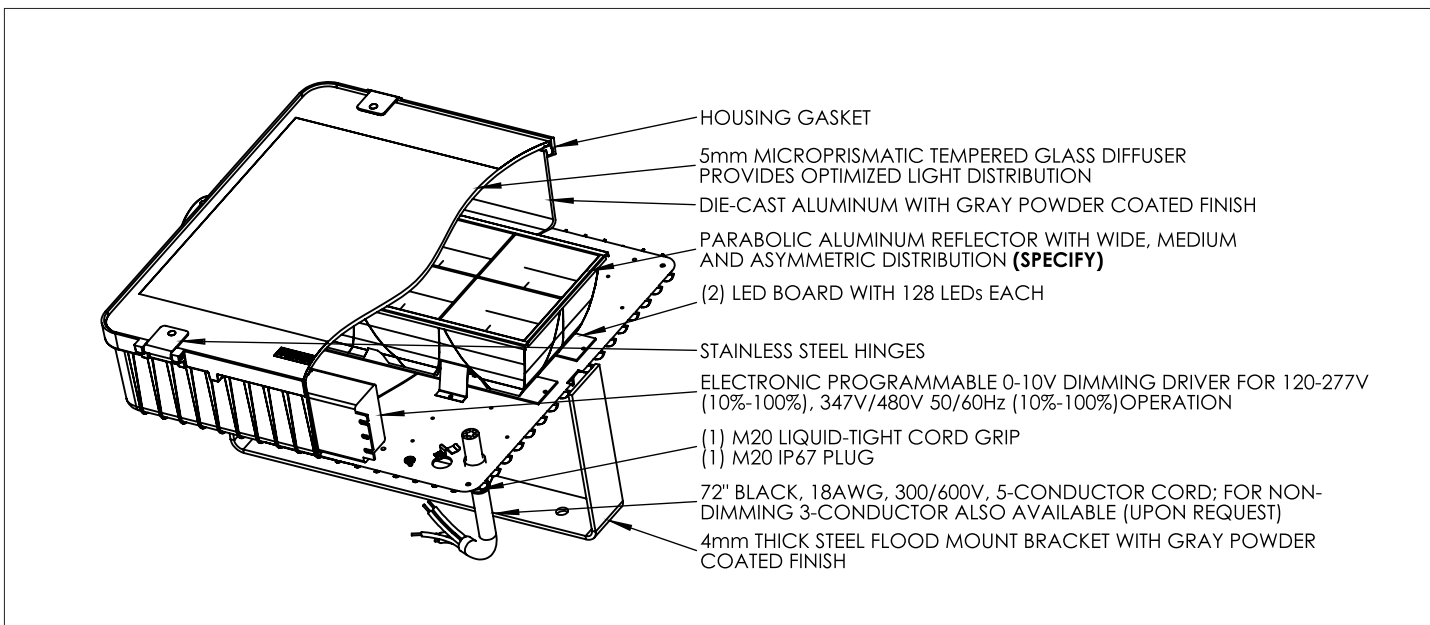
APPLICATION: The **BOXLED® FLOOD** is ideal for damp or wet applications including stadiums, exterior building lighting, wall-wash lighting, landscape & signage lighting, building facade, building mounted focal points, flag lighting and parking lots.

CONFIGURATIONS

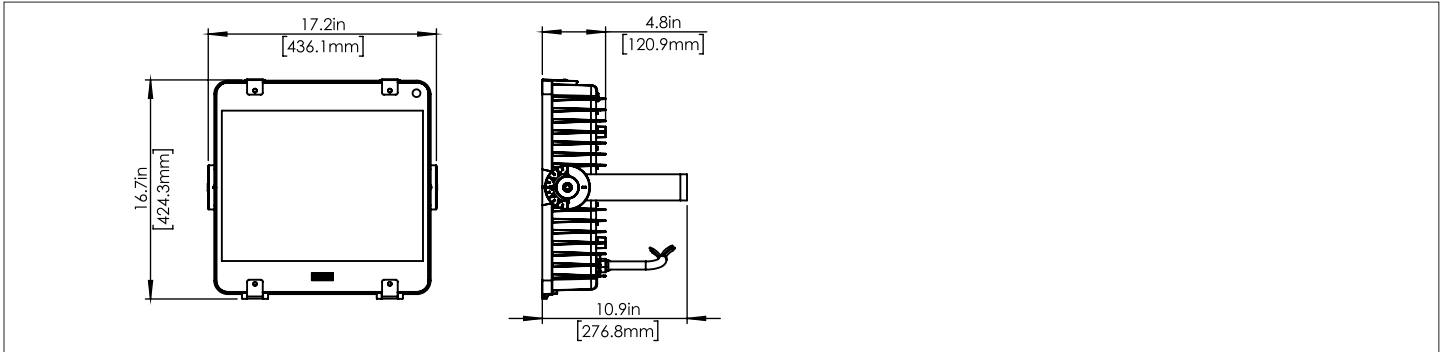
MODEL	OPERATION	OUTPUT	DISTRIBUTION	COLOR TEMP	INPUT	MOUNTING	OPTIONS
BL736LED-FL	HT	LO	MBD (medium beam)	WT35 (3500K)	120-277V	FL ¹ (flood/wall mount)	EM ² (emergency back up-remote)
		HO	WBD (wide beam)	WT40 (4000K)	347V	TPM (twin post top mount)	SS (stainless steel clips)
			ASY (asymmetric beam)	WT50 (5000K)	480V	QPM (quad post top mount)	FP (fuse protection - 3A) SP (surge protector - 10KA) IOSL ³ (internal occupancy sensor - LOGICA) EOSL ³ (external occupancy sensor - LOGICA) WG (wire-guard)

NOTE 1: Flood/wall mount is standard.
NOTE 2: Title 20 field installation emergency pack (120-277V); LO & HO: 17W; 2292 lm; (wet location required nema box).
NOTE 3: Logica (Beggelli wireless and powerless control solutions). Contact factory for more details.

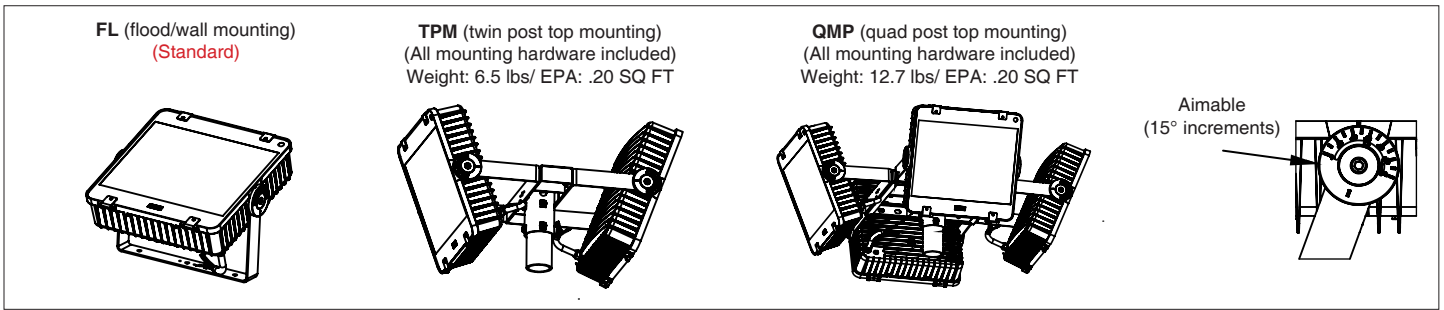
TECHNICAL INFORMATION



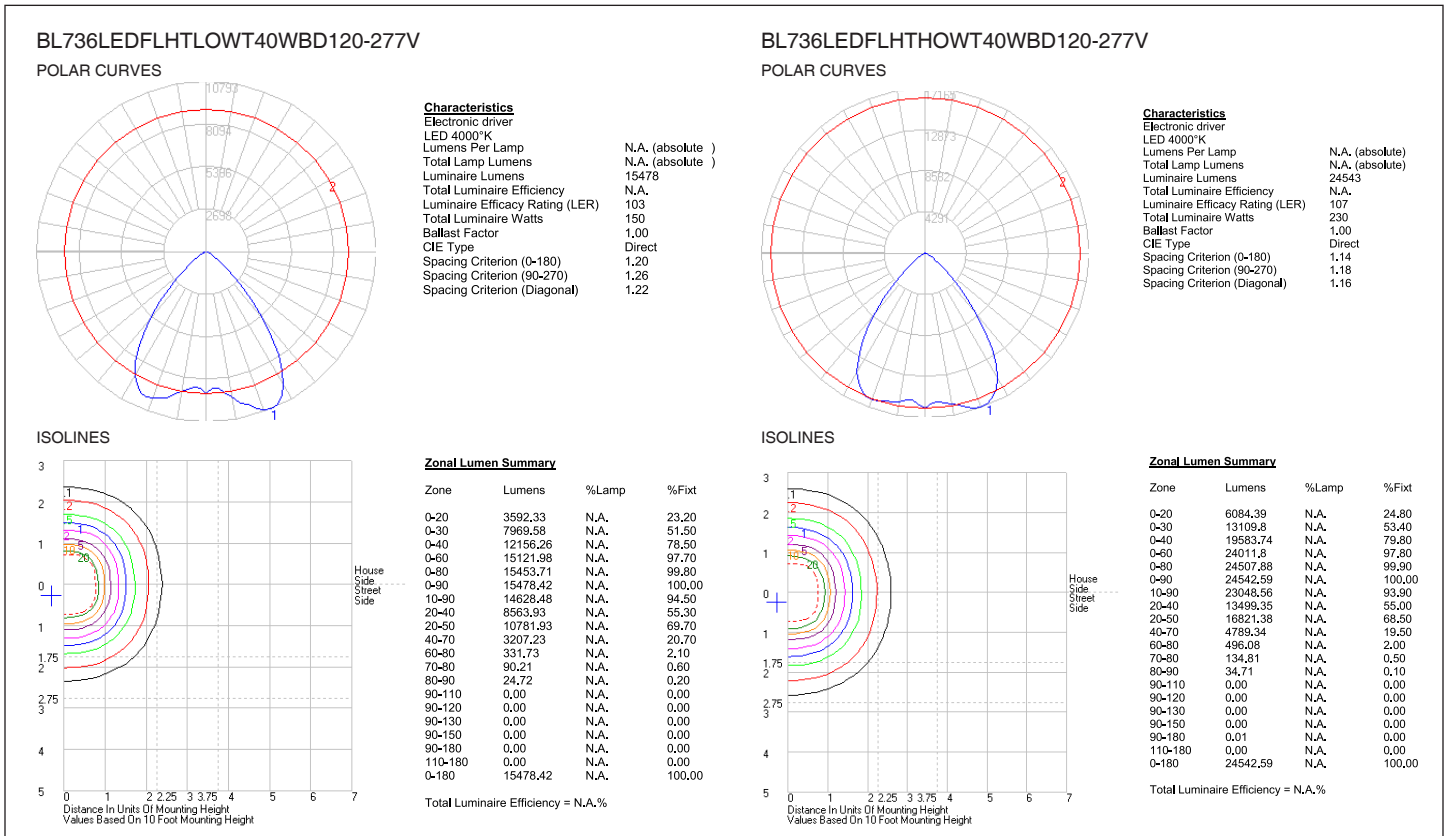
DIMENSIONS



MOUNTING OPTIONS



PHOTOMETRICS



BOXLED® FLOOD

ADDITIONAL INFORMATION

ENERGY CHART

MODEL	EFFICACY	CONSUMPTION WATTAGE	LUMEN OUTPUT	CRI	L70 (hrs.)
BL736LED-FL-HT-LO-WBD-WT35-120-277V	100 lm/W	150	14993	>80	>60,000
BL736LED-FL-HT-LO-WBD-WT40-120-277V	101 lm/W	150	15478	>80	>60,000
BL736LED-FL-HT-LO-WBD-WT50-120-277V	110 lm/W	150	16430	>80	>60,000
BL736LED-FL-HT-HO-WBD-WT35-120-277V	103 lm/W	230	23776	>80	>60,000
BL736LED-FL-HT-HO-WBD-WT40-120-277V	107 lm/W	230	24543	>80	>60,000
BL736LED-FL-HT-HO-WBD-WT50-120-277V	113 lm/W	230	26076	>80	>60,000

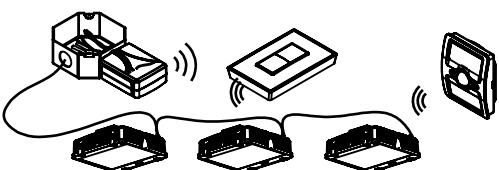
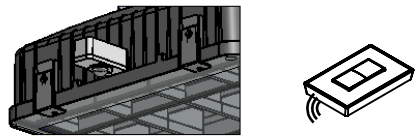

ELECTRICAL RATING

PRODUCT	NOMINAL POWER (W)	AC CURRENT (A)		FREQUENCY (HZ)	DC VOLTAGE (V)	DC CURRENT (MA)
		AC VOLTAGE 120V	AC VOLTAGE 277V			
BL736LED-FL-HT-LO	150	1.28	0.55	50/60	50	2700
BL736LED-FL-HT-HO	230	1.96	0.85	50/60	50	4100

DIMMER COMPATIBILITY

DIMMER	COMPATABILITY	
	ON / OFF	DIMMING
LEVITON - AWRMG - 7	YES	YES
LUTRON - DIVE - DVSTV	YES	YES
LUTRON - DIVE - DVTV	YES	YES
WATT STOPPER DCLV1	YES	YES

LOGICA (WIRELESS & POWERLESS LIGHTING CONTROL SOLUTIONS)

DAISY CHAIN FIXTURES (RLYL)			EXTERNAL NODE & SENSOR (EOSL) (WET LOCATION)	
<p>LOG-RLY WIRELESS RELAY (DAMP LOCATION)</p>	<p>LOG-ESRP SWITCH (ACCESSORY) (DAMP LOCATION)</p>	<p>LOG-ML2 REMOTE SENSOR (ACCESSORY) (DAMP LOCATION)</p>	<p>LOG-HBK010V/HBKOD NODE & SENSOR (KNOCK-OUT)</p>	<p>LOG-ESRP SWITCH (ACCESSORY) (DAMP LOCATION)</p>
 <p>FOR DETAILS PLEASE SEE LIGHTING CONTROL SOLUTION CONFIGURATION.</p>				
INTEGRATED NODE (NODL)				
<p>LOG-10V12/DRD (NODE 0-10V/DALI) (INTEGRATED)</p>	<p>LOG-ESRP SWITCH (ACCESSORY) (DAMP LOCATION)</p>	<p>LOG-ML2 REMOTE SENSOR (ACCESSORY) (DAMP LOCATION)</p>		
				

■ **WARRANTY:** 5 year warranty, see website for full warranty details.