

# CHLORIDE

by 

## Exit/Emergency

Compac

Emergency unit CLU2, CLU3



CLU2



CLU3



Project: \_\_\_\_\_

Location: \_\_\_\_\_

Cat.No: \_\_\_\_\_

Type: \_\_\_\_\_

Lamps: \_\_\_\_\_ Qty: \_\_\_\_\_

Notes: \_\_\_\_\_

The Chloride Compac emergency units were designed to complement the Compac exit/emergency family in looks and reliability. They allow for immediate and safe egress in low light situations and work in harmony within commercial and light industrial applications. The CLU2 two lamp head model can be adjusted to provide the optimum amount of illumination. The CLU3's center lamp head is stationary while the two side lamps can be adjusted for the perfect left and right angles. These units come standard with self-diagnostic/self-test features to assure that they are ready at any time.

### Ordering guide

Example: CLU2NWTD

Series	Battery	Color	Options <sup>1</sup>
	<input type="checkbox"/> N		
CLU2 Compac LED emergency unit, 2 lamps	N Nickel Metal Hydride battery	W White finish B Black finish	2R <sup>2</sup> Remote capability TD <sup>3</sup> Time delay LX <sup>4</sup> Laser testing LH <sup>5</sup> Less lamp heads LS <sup>6</sup> Less Self-test feature
CLU3 Compac LED emergency unit, 3 lamps	N Nickel Metal Hydride battery	W White finish B Black finish	1R <sup>7</sup> Remote capability TD <sup>3</sup> Time delay LX <sup>4</sup> Laser testing

- Optional features cannot be combined with other optional features
- CLU2 feeds 2 single or 1 dual LED remote unit
- 15 minute delay
- Performs a manual test up to 40ft from unit, See RLT accessory for laser tester

- Available in white finish housing only, feeds 4 single or 2 dual LED remote lamp heads
- Contains self-diagnostic electronics but does not perform the automatic monthly test. Available in white finish housing only
- CLU3 unit with the 1R option feeds 1 LED remote lamp head

### Accessories (order separately)

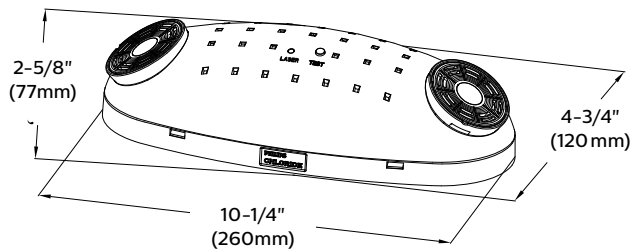
- WG5 - Wire guard (for CLC exit/unit combos mounted flat against the wall)
- RLT - Remote Laser Tester



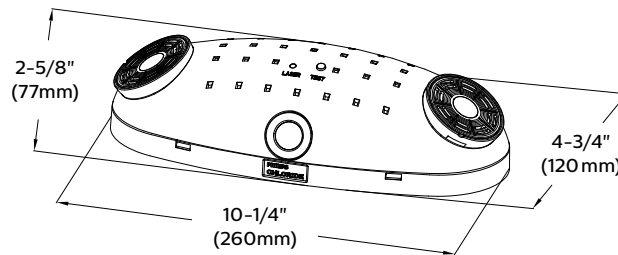
# CLU2/CLU3 Compac emergency unit

## Dimensions

CLU2



CLU3



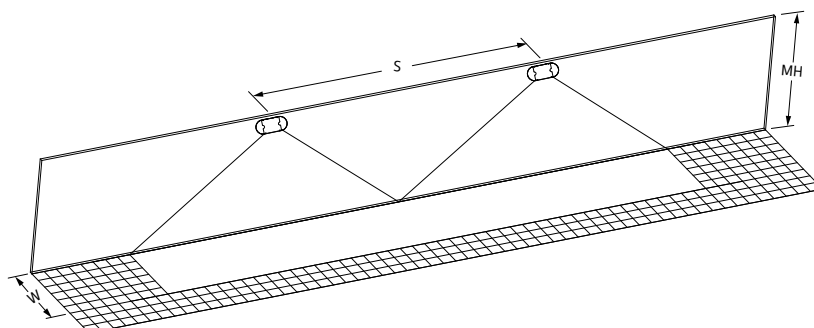
## Performance

Meets Life Safety Code Illumination standard average of 1.0 FC, no point less than 0.1 FC max to min ratio of 40:1. Assumes open space with no obstructions. NFPA 101, Life Safety Code matches California Fire Code of Regulations, Title 24. Normal operation (off/standby) is not to be confused with emergency operation.

Compac CLU2/3 emergency unit performance				
	80/50/20 Reflectance <sup>†</sup>		10/10/10 Reflectance <sup>‡</sup>	
	3' Path	6' Path	3' Path	6' Path
Center-to-Center				
CLU3 Unit	76'	76'	75'	75'
CLU2 Unit	76'	60'	63'	55'
Single Unit Coverage				
CLU3 Unit	64'	64'	61'	57'
CLU2 Unit	56'	52'	48'	40'

<sup>†</sup>Based on 6ft corridor and 9ft ceiling height and a mounting height of 7.5ft.

<sup>‡</sup>Based on 200ft by 200ft open area and 30ft ceiling height.



# CLU2/CLU3 Compac emergency unit

## Codes and standards

- NFPA 70 (National Electric Code)
- NFPA 101 (Life Safety Code)
- ETL listed to Standard 924
- UL Listed for damp locations

## Construction

- Wall or ceiling mounted
- UL 94 V-0.5VA Flame rated, UV stable thermoplastic housing
- Provisions for surface mounted conduit to top of wall mounted unit
- Back plate keyhole slots are easily removable knockouts for securing to single gang boxes, 3" J-boxes and 4" J-boxes

## Installation

- Designed for wall or ceiling mount with a universal J-box pattern on back plate
- Surface conduit entry on top of housing in center of backplate
- CLUX unit mounts single gang boxes, 3" J-boxes and 4" J-boxes

## Electronics

- 120/277VAC, 50-60Hz dual voltage selectable input
- Surge protected, solid state circuitry
- Charging systems are complete with low voltage disconnect (prevents deep discharge of battery), battery lockout (prevents discharge of battery during installation), and brownout protection

## Power consumption

- CLU2 120V=0.036/277V=0.030
- CLU3 120V=0.055/277V=0.040

## Lamps

- CLU2 unit contains two - 2.2W adjustable LED lamp heads longlife LED lamp source head (5000K)
- CLU3 unit contains three - 2.2W LED lamp heads longlife LED lamp source head (5000K) (two adjustable, one fixed)

## Battery

- Maintenance-free sealed 7.2v Nickel Metal Hydride battery
- Manual test switch and LED light indicator
- Supplies emergency illumination for a minimum of 90 minutes
- Batteries have an approximated service life of 6 to 8 years at a operating temperature range of 10°C to 40°C (50°F to 104°F)

## Remote capability

- CLU2 emergency unit provides enough remote capability to supply DC power to 2 (CLR1W) LED remote lamps heads or 1 (CLR2W) dual LED remote lamp head.
- CLU3 provides enough remote capability to feed one CLR1W LED remote lamp head.

## Listings

- California Energy Commission, Title 20 compliant (Battery Charger)

## Warranty

- Five year full warranty on unit.

## Self-diagnostics/Self-test

The CLU2/3 units contain self-diagnostic/self-test electronics as a standard feature. An automatic self-test is performed every month for 3 minutes, and a 30 minute self-test every six months. A manual test may also be performed at anytime by pressing the manual test button.

### Manual testing:

Test button	Length of test
1 press	30 seconds
2 presses	3 minutes
3 presses	30 minutes
4 presses	90 minutes

### Self-Diagnostic Red status indicator:

Indicator	Status
One blink	Battery is not connected
Two blinks	Battery voltage has dropped below acceptable value
Three blinks	Charger board circuit fault
Four blinks	Transfer fault
Five blinks	Lamp fault
Six blinks	Remote lamp head fault
Seven blinks	EXIT Led strip fault

The Self-diagnostic/self-test electronics meets the requirements of the National Electric Code and/or the National Fire Protection Association.

The information presented in this document is not intended as any commercial offer and does not form part of any quotation or contract.

