

DECOR DESIGNER – Recessed Emergency Light

The Decor Designer DP series provides a fully recessed, self-contained emergency lighting fixture suitable for ceiling or wall installation. By recessing the main housing the DP series provides a clean and unobtrusive emergency light to blend with your chosen Decor.

Construction

- The Decor Designer DP series provides a fully recessed, self-contained emergency lighting fixture suitable for ceiling or wall installation. By recessing the main housing the DP series provides a clean and unobtrusive emergency light to blend with your chosen Decor
- One-piece, steel housing recesses into wall or ceiling. The lamp head plate is secured by torsion spring clips eliminating the need for fixing screws while allowing for ease of installation and maintenance
- Sturdy 20 gauge steel cabinet with multiple knockout entries. Lamp head plate is finished in a durable white powder coat (other colors available to order)

Electrical

- Higher capacity units provide for additional remote lighting loads
- Choice of maintenance free sealed Lead Calcium or Nickel Cadmium batteries, minimum 90 minute operation
- Brown out sensing assures emergency operation during periods of low line voltage
- Premium, fully automatic current limited “Pulse Switching” charger provides ideal charge conditions for optimum battery performance and life
- Short Circuit battery protection
- Field selectable 120 or 277 VAC input
- Momentary test switch and dual diagnostic LED indicator displays AC presence and Hi-Charge status
- Line-latch prevents unnecessary discharge of battery during installation, loads will not illuminate until after application of utility power
- Low voltage cut-off prevents battery damage and ensures positive charge acceptance following an extended discharge
- Self-Test / Self-Diagnostic monitoring available



Optional LED Lampheads

Illumination

- Available with two fully adjustable PAR 36 or the smaller PAR 18 lamp heads with a variety of lamp types and wattage's. Standard lamp is 9 watt

Certification

- Listed to UL 924, meets NFPA 101 Life Safety Code, NFPA 70-NEC and OSHA requirements



Warranty

- 3 year limited warranty

ORDERING GUIDE – DP Series

Example: DP2E18-2-LED5W-SD

| Model | Model | No. of Lightheads | Lighting Heads | Options |
|---|--|--|---|--|
| Lead Calcium Battery 90 Minute Capacity DP2E18 6 Volt – 18 Watts DP2E27 6 Volt – 27 Watts DP2E36 6 Volt – 36 Watts DP4E36 12 Volt – 36 Watts | Nickel Cadmium Battery 90 Minute Capacity DP2N22 6 Volt – 22 Watts DP2N42 6 Volt – 42 Watts DP4N42 12 Volt – 42 Watts | 2 Double Lighting Heads 1 Single Lighting Head 0 No Lighting Head | Unless specified Standard Lamp Head will be provided with a 9 watt lamp L Standard PAR 36 Style Select type W or C Lamps up to 12 watts (i.e. LC12, 12 watt Capsule Halogen) M Small PAR 18 Style Select Type W or C Lamps up to 12 watts (i.e. MW9 9 watt Tungsten) | SD Self-Test/Self-diagnostic TD 15 Minute Time Delay (specify AC voltage) MR16 MR16 Lampheads (6 or 12 Volt see lamp selection guide) LED 6V-5W, 7W or 12V-5W, 7W B Black Housing and Heads |
| DP | | | | |

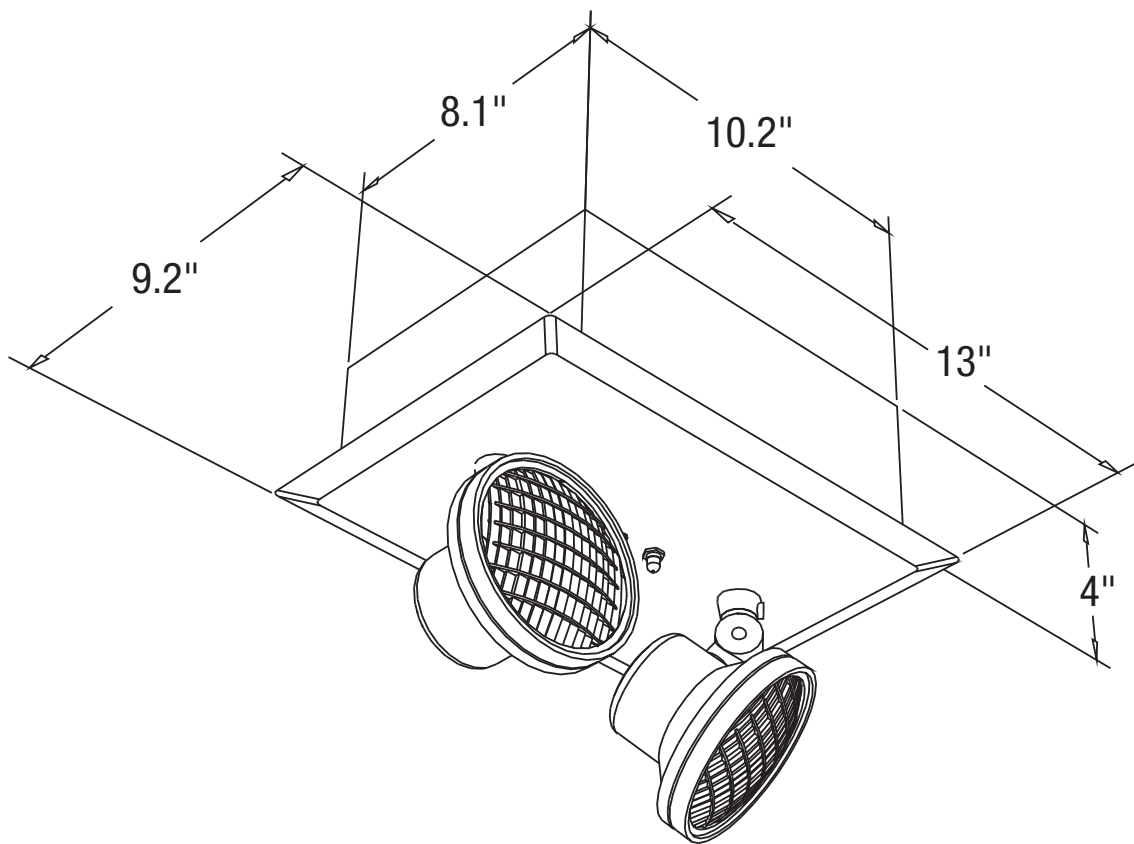
Fill in fields from categories above and complete type and part number.

Type Number:

Full Part Number:

Decor Designer - Recessed Emergency Light

| Optional MR16 Heads Available Lamps | |
|-------------------------------------|--------|
| Voltage/Wattage | Lumens |
| 12V 10W | 160 |
| 12V 20W | 342 |
| 12V 50W | 900 |
| 6V 5WLED | 300 |
| 12V 5WLED | 300 |
| 12V 7WLED | 382 |



Standard
PAR 36 Lighting Head

