



ELH

120-360 Watt Emergency Light

DATE:

COMMENTS:

PROJECT

FEATURES

- High capacity models support total loads up to 360 watts or provide for extended discharge periods
- 24 volt units provide for reduced voltage drops over longer cable runs
- UL listed 90 minute run-time
- Capable of powering multiple remote heads
- Unique locking twist-collar securely holds the lens for quick and easy re-lamping
- Low voltage cut-off prevents battery damage and ensures positive charge acceptance following an extended discharge
- Self-Test / Self-Diagnostic monitoring available
- Maintenance free, sealed Lead Calcium battery or Nickel Cadmium battery
- Short circuit battery protection
- Brownout detection ensures emergency operation during periods of low line voltage
- Line-latch prevents unnecessary discharge of battery during installation. Loads will not illuminate until after application of utility power
- Key hole mounting slots and conduit knockouts are provided for additional mounting options
- 120/277 VAC field-selectable inputs
- BAA Compliant



ORDERING INFORMATION *ELH-LC-6V120W-WH-MB-2-ARH-L125*

1. SERIES	2. BATTERY TYPE	3. OPERATION	4. FRAME COLOR	5. MOUNTING
ELH	-	-	-	MB
	LC Lead Calcium Battery Backup	6V120W 6 Volts, 120 Watts 12V160W 12 Volts, 160 Watts 24V280W 24 Volts, 280 Watts 6V200W 6 Volts, 200 Watts 12V180W 12 Volts, 180 Watts 24V360W 24 Volts, 360 Watts 12V140W 12 Volts, 140 Watts 12V360W 12 Volts, 360 Watts	WH White BK Black	MB Back Mount
	NC Ni-Cad Battery Backup	12V130W 12 Volts, 130 Watts 12V200W 12 Volts, 200 Watts 24V200W 24 Volts, 200 Watts		
6. HEAD COUNT	7. HEAD STYLE	8. LAMPS	9. OPTIONS	
0 No Heads	ARH ARH Lamp Heads	See Lamp Chart for Part # Example: LED 12V 5W = "L125"	BLANK = NO OPTION	
1 One Head	BRH BRH Lamp Heads		SD Self-Diagnostics	FA Fire Alarm Interface
2 Two Heads	HNS HNS Lamp Heads ¹		SR Self-Diagnostics + IR Remote Testing Receiver	T1 Time Delay - 120 VAC
	LRH LRH Lamp Heads		AA Audible Alarm (Buzzer)	T2 Time Delay - 277 VAC
	XRH XRH Lamp Heads		AM Ammeter	VM Voltmeter
			CS Cord Set	TP Tamperproof Screws

ORDERING NOTES

- When Selecting the HNS heads, skip the lamp selection field

ACCESSORIES; ORDER SEPARATELY

- TLRT-IND = Infra-Red Remote Control for Industrial Products
- WG 1 = Wire guard 17.0" X 17.0" X 17.0"
- WG 6 = Wire guard 20.0" X 17.0" X 12.0"

CONSTRUCTION

- 20 gauge steel cabinet
- Durable white powder-coat finish

TEMPERATURE RATING

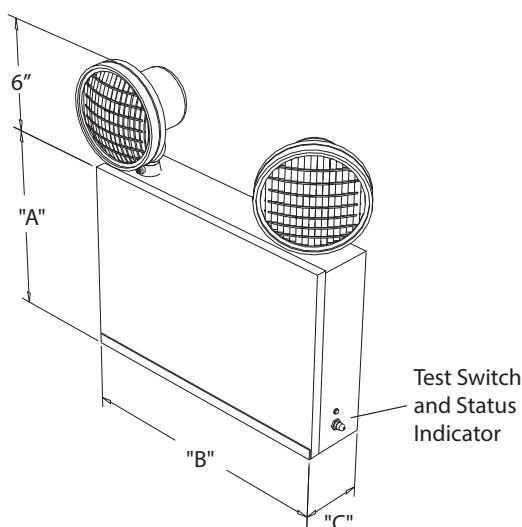
- From 50°F to 113°F

APPROVALS

- CSA-US listed
- Meets or exceeds UL924 standards
- NFPA 101 Life Safety Code
- NFPA 70-NEC
- OSHA
- BAA Compliant

WARRANTY

- Isolite offers a 3-year limited warranty. For further details, refer to General Warranty and Obligations in the Isolite manual or on our website. Lamps not warranted

DIMENSIONS


DIMENSION CHART			
UNIT SIZE	A	B	C
6V 72-90W 12V 90W	9"	10"	3.25"
6V/12V 100-180W 24V 140-180W	9.5"	15"	4.25"
90W-200W	10"	13"	8"
180W-360W	10"	18"	8"

LAMP CHARTS

B - BI-PIN HALOGEN			
	6V	12V	24V
8W	B68	B128	
10W	B610		
12W	B612	B1212	B2412
20W	B620	B1220	B2420
35W		B1235	
55W		B1255	
70W			B2470

M - MR16			
	6V	12V	24V
6W	M66		
10W	M610	M1210	
12W		M1212	M2412
20W		M1220	M2420
35W		M1235	M2435
50W		M1250	M2450

L - LED			
	6V	12V	24V
2W		L122	
5W	L65	L125	L245
7W	L67	L127	L247