

FEATURES & SPECIFICATIONS

INTENDED USE — Ideal for applications requiring unobtrusive, emergency lighting. Available surface or recessed.

CONSTRUCTION — Unobtrusive, contemporary housing design with ivory white polycarbonate frame and black thermoplastic base is impact- and fire-resistant (UL 94V-0 flame rating).

Efficient 10W or two 8W (with 2L option) tungsten halogen lamps provide high lumen output.

White cone reflector and acrylic prismatic lens (polycarbonate lens with 2L option) provide wide beam spread.

Mitered corners and recessed lens give a clean, finished appearance.

Push-to-test lens conceals test switch and "ready" light.

Dual-voltage input (120V or 277V).

ELECTRICAL — Current-limiting charger maximizes battery life and minimizes energy consumption. Provides low operating costs.

Thermal protection senses temperature and adjusts charge current to prevent overheating and charger failure.

Thermal compensation adjusts charger output to provide optimum charge voltage relative to ambient temperature.

Regulated charge voltage maintains constant-charge voltage over a wide range of line voltages. Prevents over/under charging that shortens battery life and reduces capacity.

Filtered charger output minimizes charge voltage ripple and extends battery life.

AC/LVD reset permits testing of unit at time of installation and ensures full 90-minute discharge.

80% brownout protection and high charge indicator (2L option only).

Battery: Sealed, maintenance-free lead-calcium battery provides 10W (ELSQ) or 20W (ELSQM) rated capacity.

Automatic battery recharge after 90-minute discharge (120-minute discharge with 2L option).

Low voltage disconnect prevents excessively deep discharge that can permanently damage the battery.

Slip-on battery terminals.

INSTALLATION — Wall or ceiling mount.

J-box mounting pattern.

Surface mounting standard. For fully recessed, order accessory kit ELA FRK, respectively. All hardware supplied.

LISTINGS — Meets UL924, NFPA 101, NEC and OSHA illumination standards.

WARRANTY — 3-year limited warranty. Complete warranty terms located at

www.acuitybrands.com/CustomerResources/Terms_and_conditions.aspx

Actual performance may differ as a result of end-user environment and application.

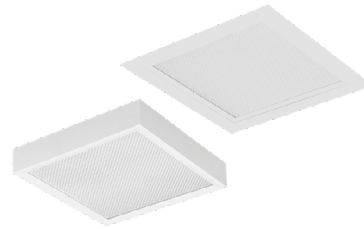
Note: Specifications subject to change without notice.

Catalog Number
Notes
Type

Emergency Square Series

ELSQ/ELSQM

6-Volt, Self-Contained
6-Volt, 20-Watt



ORDERING INFORMATION For shortest lead times, configure product using standard options (**shown in bold**) **Example: ELSQ**

Series	Options
ELSQ 6V, 10W self-contained	2L Two 8W lamps with polycarbonate lens and high charge indicator (ELSQM only) ¹
ELSQM 6V, 20W self-contained	LEX Polycarbonate lens (standard with 2L option)
	N Maintenance-free nickel-cadmium battery ¹

Accessories: Order as separate items	
ELA FRK	Fully-recessed kit

NOTES:
1 2L option is UL listed for a two-hour run time, not available with nickel-cadmium battery.

ELSQ/ELSQM Emergency Square Series

SPECIFICATIONS

ELECTRICAL Primary Circuit							
Type	AC Input			Output Volts	Watts Output ¹		
	Volts	Amps	Watts		1-1/2 hrs.	2 hrs.	3 hrs.
ELSQ	120	.167	10	6	10	-	-
	277	.072	10				
ELSQM	120	.167	20	6	20	16	10
	277	.072	20				

BATTERY Sealed Lead-Calcium				
Voltage	Shelf life ²	Typical life ²	Maintenance ⁴	Optimum Temperature ³
6	12 mos.	5-7 yrs.	none	60°-90°F (16°-32°C)

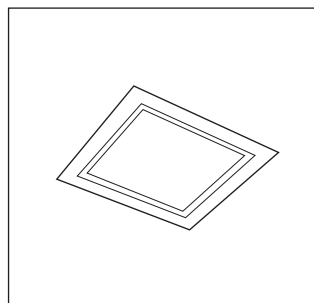
BATTERY Sealed Nickel-Cadmium				
Voltage	Shelf life ²	Typical life ²	Maintenance ⁴	Optimum Temperature ³
6	3 yrs.	7-9 yrs.	none	32°-100°F (0°-38°C)

Rated Output Capacity in Watts - Emergency Run Time			
	1.5 hrs.	2 hrs.	3 hrs.
ELSQ N	10	-	--
ELSQM N	20	15	10

NOTES

- 1 Watts to 87-1/2% of 6V.
- 2 At 77°C (25°C).
- 3 Optimum ambient temperature range where unit will provide rated capacity for 90 minutes. Higher and lower temperatures affect life and capacity.
- 4 All life safety equipment, including emergency lighting for path of egress must be maintained, serviced, and tested in accordance with all National Fire Protection Association (NFPA) and local codes. Failure to perform the required maintenance, service, or testing could jeopardize the safety of occupants and will void all warranties.

KEY FEATURES

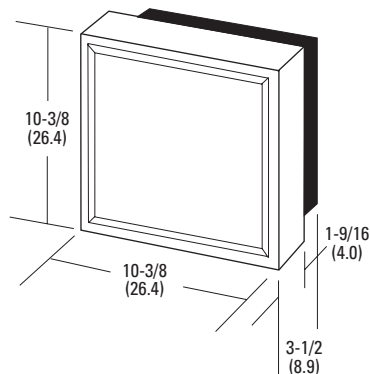


Fully-recessed mounting accessory kit – ELA FRK.
(1/4" rough-in opening)

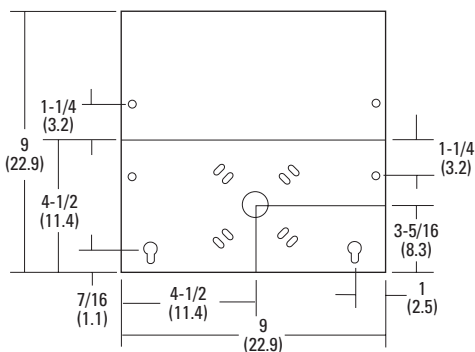
DIMENSIONS

All dimensions are inches (centimeters).

Shipping Weight: ELSQ 5 lbs. (2.3 kgs.)
ELSQM 6.5 lbs. (3 kgs.)

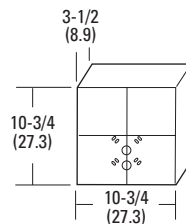


HOUSING BACK



RECESSED MOUNTING BOX

FULLY-RECESSED (accessory kit)



(1/4" rough-in opening)