

## Lux-Ray™ LED Series

Die-cast aluminum LED emergency lighting – interior or exterior



NEMA-3R



Patent-Pending

### Housing

- Indoor/outdoor suitable for wet location
- Die-cast aluminum housing
- UV-resistant (3" x 1.5") polycarbonate lens

### Mounting

- Wall mount
- 1/2" rigid conduit top entry
- Universal J-box mounting pattern

### Lamp type

- Patent-pending light engine: four power LEDs with redundant connections
- 400-640 Lumens
- Color temperature: 4000K
- Optional forward-throw light distribution, for applications of outdoor egress
- Optional high-lumen output Optional dual-mode operation: normal and emergency LED lighting with separate AC inputs

### Electronics

- Pulse plus charger
- Low voltage disconnect
- Automatic brownout protection
- Battery lock-out
- Fused output circuit
- Standard Advanced Diagnostics
- 120/277 60Hz

### Approval

- UL 924 listed
- NEMA-3R rated for indoor/outdoors cold-weather wet and damp locations: -20 to 40°C (-4 to 104°F)

### Warranty

- Unit has a five-year limited warranty
- Detailed warranty terms located on page 178 or online at:  
[www.emergi-lite.com/usa/files/EL\\_Warranty.pdf](http://www.emergi-lite.com/usa/files/EL_Warranty.pdf)

### Power consumption

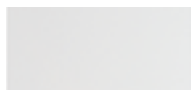
Model	AC Specs: 120/277VAC				
	Normal lighting		Emergency lighting		6-12VDC remote
	Current (max)	Power (max)	Current (max)	Power (max)	Power (max)
AC, 2AC, ACDC, DC (remote)	0.12/0.08A	12W	0.12/0.08A	12W	8W
AC-H, 2AC-H, ACDC-H, DC-H	0.18/0.11A	18W	0.18/0.11A	18W	14W
ACSD, SD, SD-H	0.12/0.06A	12W	0.05/0.02A	12W	-
SD-CW	-	-	0.15/0.07A	16W	-
ACSD-CWP, -CWRC <sup>1</sup>	-	-	0.22/0.10A	24W	-

<sup>1</sup>Note: ACSD cold weather models must be powered only from the unswitched emergency AC line

### Colors



Black

Dark bronze  
(painted)

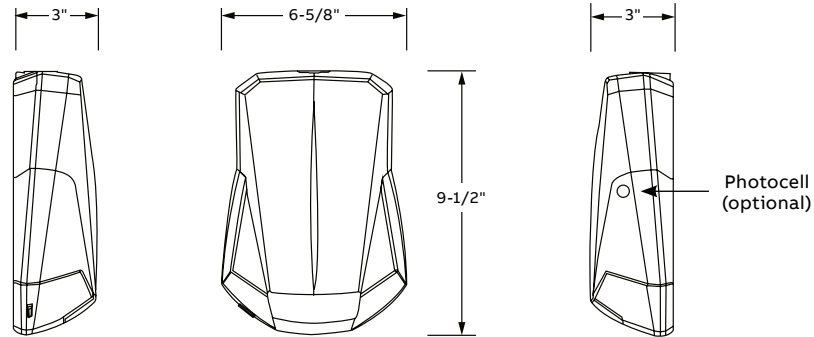
Off-white



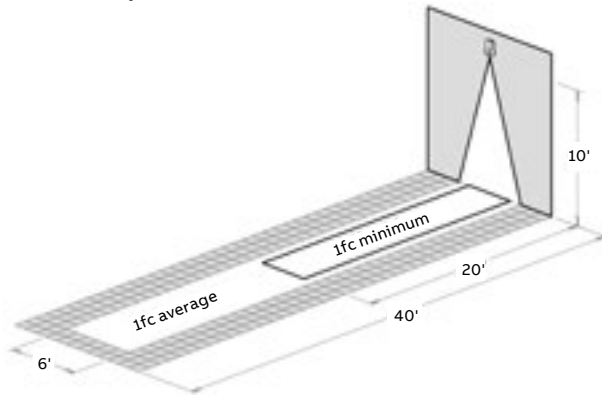
Platinum gray

**Dimensions**

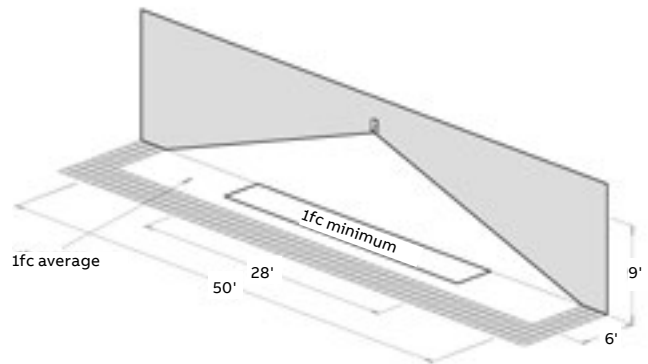
Dimensions are approximate and subject to change.



**Photometric performance – Forward throw**



**Photometric performance – Wide beam**



**Table A – Spacing for minimum illumination = 1FC (1 foot-candle)**

Model type	Mounting height	Lumen	Color temperature	Width X length (ft)	
				Single unit	Center-to-center
Standard	9'	400	4000K	4' x 28'	4' x 32'
With option -H	11'	550		4' x 32'	4' x 40'
With option -FT	12'	460		4' x 22'	-
With option -FTH	15'	640		4' x 27'	-

**Table B – Spacing for NFPA101 – Average = 1FC (1 foot-candle)**

Model type	Mounting height	Lumen	Color temperature	Width X length (ft)	
				Single unit	Center-to-center
Standard	9'	400	4000K	6' x 50'	4' x 32'
With option -H	11'	550		6' x 60'	4' x 40'
					3' x 70'
With option -FT	12'	460		6' x 40'	-
With option -FTH	15'	640		6' x 50'	-

**How to order**

Color	Series	Model	Options
<b>B</b> = Black	<b>LUX</b> = Lux-Ray LED	<b>SD</b> = Self-powered & diagnostic [-4-122°F (-20-50°C)] <b>ACSD</b> = Dual-mode AC / self-powered & diagnostic -4-104°F (-20-40°C)	<b>-CW</b> = Cold weather [-40-86°F (-40-30°C) not available with option -H] <b>-D3</b> = Time delay (15 minutes) <b>-FT</b> = Forward throw lighting <b>-H</b> = High lumen output (max. 86°F/30°C; model SD only) <b>-P</b> = Photocell (ACSD only) <b>-RC</b> = Remote control test switch - infrared <sup>1</sup>
<b>BZ</b> = Dark bronze			
<b>OW</b> = Off-white			
<b>PG</b> = Platinum gray			

**Example: BZLUXACSD-RC**

<sup>1</sup>For ACSD model only, remote control keypad (TB-RC1-E) ordered separately