

## Survive-All™ SVH Series

Class I, Division 2 housing 6V-18W & 12V up to 72W capacities



### Housing

- Class I Division 2, Groups A, B, C and D
- Vandal-resistant UV stabilized polycarbonate lamp cover
- Front and back plates are of a heavy duty aluminum
- Stainless steel tamper-proof screws

### Mounting:

- Surface wall mount only
- Includes mounting lugs on each side of the housing
- Universal J-box mounting
- 1/2 inch entry on both sides and top of housing

### Lamp type

- Choice of MR16 LED lamp wattages

### Electronics

- Pulse plus charger
- Low voltage disconnect
- Automatic brownout protection
- Battery lock-out
- Fused output circuit

- Magnetic test switch
- Standard Advanced Diagnostics (non-audible)
- Optional Nexus® monitoring system
- 120/277 60Hz

### Battery type

- 6 or 12V lead-calcium battery

### Approvals

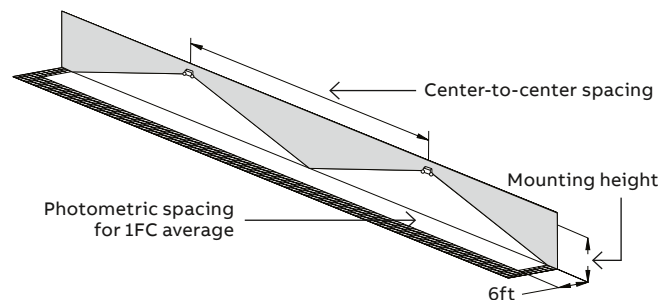
- CSA-US (to UL 924 standards)
- Evaluated to the UL 844 Standard for Class I Division 2, Groups A, B, C and D
- NEC, OSHA and NEMA compliant for above Classes and Groups
- Damp and wet location (50°F to 104°F)

### Warranty

- Unit has a five-year limited warranty
- Detailed warranty terms located on page 202 or online at:  
[www.emergi-lite.com/usa/files/EL\\_Warranty.pdf](http://www.emergi-lite.com/usa/files/EL_Warranty.pdf)

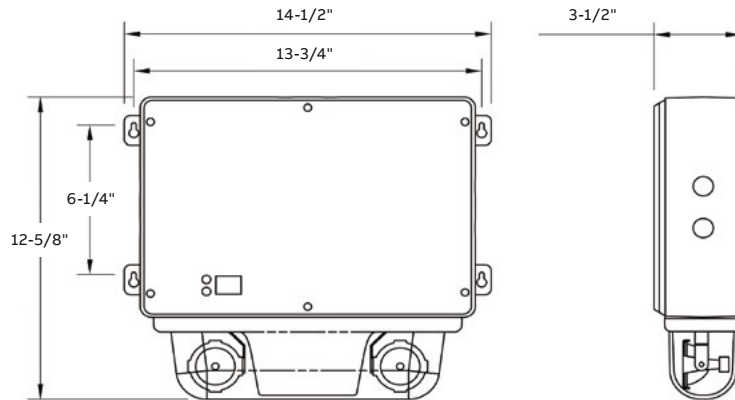
### Photometric performance

Lamp	Spacing center-to-center (feet)	
	7' mounting height	15' mounting height
LA	39'	34'
LB	74'	57'
LG	49'	39'
LI	68'	54'
LJ	89'	80'



**Dimensions**

Dimensions are approximate and subject to change.



**Temperature codes**

Lamp rating <sup>1</sup>	Temperature code	Max. temperature	Replacement part #
6V-4W	T4A	120°C	580.0097
6V-5W	T4A	120°C	580.0122
12V-4W	T4A	120°C	580.0080
12V-5W	T4A	120°C	580.0104
12V-6W	T4A	120°C	580.0106

<sup>1</sup>Use qualified replacement lamps to avoid risk of over-heating

**Power consumption and unit rating**

Model	AC specs	Battery capacity in watts					
		1-1/2 hrs	2 hrs	3 hrs	4 hrs	8 hrs	
SVH18	120/277VAC	0.17 / 0.09 Amp	18	12	9	-	-
12SVH36		0.30 / 0.15 Amp	36	27	18	14	-
12SVH60		0.30 / 0.15 Amp	60	45	30	24	12
12SVH72		0.30 / 0.15 Amp	72	54	36	28	14

**How to order**

Color	Voltage and power	# of heads	Lamps	Options
G= Gray	SVH18M= 6V-18W, lead-calcium 12SVH36M= 12V-36W, lead-calcium 12SVH60M= 12V-60W, lead-calcium 12SVH72M= 12V-72W, lead-calcium	-2= Two heads -0= No heads	LA= 6V-4W, MR16 LED LB= 6V-5W, MR16 LED LG= 12V-4W, MR16 LED LI= 12V-5W, MR16 LED LJ= 12V-6W, MR16 LED	Blank= Advanced Diagnostics (non-audible) <sup>1</sup> -DA= Advanced Diagnostics (audible) <sup>1</sup> -D3= Time delay (15 minutes) -NEXRF= NEXUS® wireless (consult your sales representative) <sup>1</sup>

Example: G12SVH72M-2MK-DA

<sup>1</sup>Minimum lamp load required: 20% of unit capacity