

## Total™ Edge Series

Single and double face, surface and recessed mount edge-lit exit sign



### Construction

- Extruded aluminum housing
- High grade acrylic panel
- 6 inch EXIT lettering legend, available in red or green
- Field-selectable chevrons
- Satin aluminum housing
- Optional Advanced Diagnostics

### Mounting

#### Universal mount model

- Pivoting panel design allows for recessed, surface, wall or ceiling mount installation
- A ratcheting mechanism allows the panel to be set in place from 0° to 180° for wall or sloped ceiling mounting
- Canopy included for surface wall, end or ceiling mount application
- Easy snap in backbox with securing trim plate allow for sheet rock ceiling installation
- Trim plate, 27 inch adjustable T-bar hangers and a junction box included for recessed application

### Approvals

- UL 924 listed
- Damp location 50°F to 104°F (10°C to 40°F)
- Meets NFPA101 (Life Safety Code) NFPA 70 NEC and OSHA illumination standards
- Compatible with Emergi-Lite Min Inverters (contact your sales representative for more information)

### Warranty (subject to proper installation and maintenance)

- Unit has a three-year warranty  
Detailed warranty terms located on page 202 of the catalog or online at:  
[www.emergi-lite.com/usa/files/EL\\_Warranty.pdf](http://www.emergi-lite.com/usa/files/EL_Warranty.pdf)

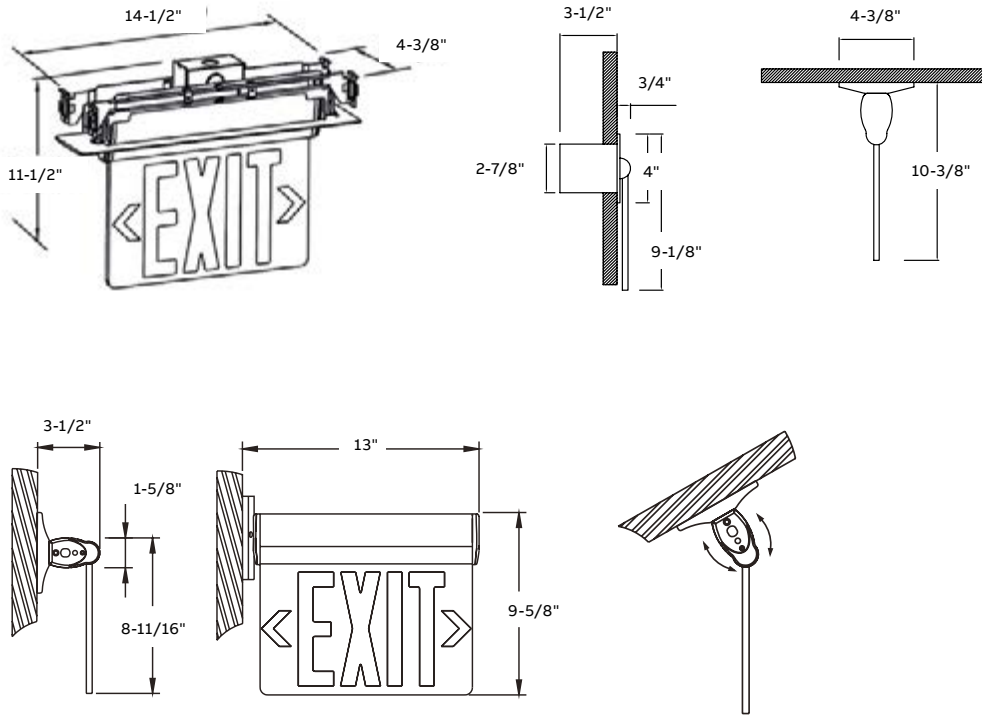
### Accessories (order as a separate item)

Description	Suffix
Battery	850.0107-E
Pendant white	P*WT
Pendant black	P*BK
Pendant adapter <sup>1</sup>	081886-E

<sup>1</sup>Required for use with pendant

**Dimensions**

Dimensions are approximate and subject to change.



**Power consumption**

Model	AC specs	DC specs
AC only	120VAC, 60Hz	2.0-2.6W
	277VAC, 60Hz	2.6-3.1W
Red	120VAC, 60Hz	Ni-Cd battery Min. 90 minutes
	277VAC, 60Hz	Ni-Cd battery Min. 90 minutes
Green	120VAC, 60Hz	2.8-3.3W
	277VAC, 60Hz	3.5-4W
Self-powered	120VAC, 60Hz	Ni-Cd battery Min. 90 minutes
	277VAC, 60Hz	Ni-Cd battery Min. 90 minutes

**How to order**

Series	Color	Legend	Options
PA= AC Only PN= Self-powered PA2= AC only dual circuit	R= Red on mirror G= Green on mirror	6= 6" EXIT single and double face with universal chevrons	-AD= Advanced Diagnostics <sup>1</sup>
<b>Example: PNR6-AD</b>			

<sup>1</sup>Only available on self-powered models