

CHLORIDE

by Signify



Exit/Emergency

TruPath

Exit/unit combo TPC



Project: _____

Location: _____

Cat.No: _____

Type: _____

Lamps: _____ Qty: _____

Notes: _____

Chloride TruPath exit/unit combo TPC is a multi-purpose product that features a low-profile, contemporary design with aesthetic appeal for most commercial applications, yet also offers a wet location listed option, making it durable enough for harsher industrial environments. Smaller than any other industrial combo currently available, the TPC's unique design provides emergency illumination from two concealed, pre-aimed high-powered LED light sources unobtrusively located internally at the bottom of the housing. It utilizes high brightness and a long lasting LED light source for providing uniform letter illumination. Also, the robust Intelli-Charge self-diagnostic ensures the unit is always ready.

Ordering guide

Example: TPCWR1RWIC

Series	Application	Battery	Face options	LED Color	Housing Color	Diagnostic Selection ⁵	Options ⁶
TPC					W		
TPC TruPath LED multi-purpose exit/unit combo	D Dry/damp location W Wet location/NSF	N Nickel metal hydride battery, (no remote capability) R Nickel metal hydride battery with remote capability ^{1,2} RL Nickel metal hydride battery with remote capability, less internal LEDs for emergency illumination ^{2,3}	1 Single Face U Universal ⁴	R Red letters G Green letters	W White	IC Self-diagnostics only (standard) ICT Self-diagnostics with self-test ICTA Self-diagnostics with audible self-test	BF Buzzer/flasher BZ Buzzer FA Fire alarm flasher FL Emergency flasher EX Special voltage XFMR HTR Heater for cold weather applications

Accessories⁷ (order separately)

- **ICIR** – Intelli-Charge "infra-red" remote
- **TPEPA12W** – Pendant assembly with 12" white stem
- **T15TPTOOL** – Tamperproof screwdriver
- **TPECK** – Canopy kit

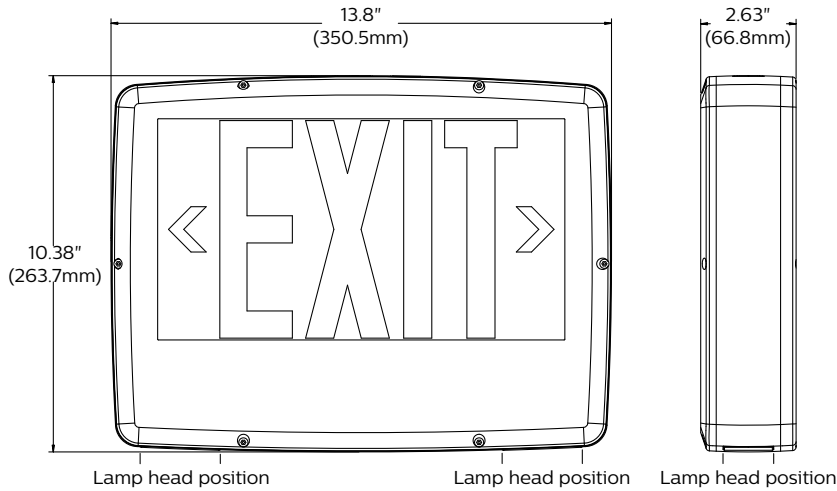
Footnotes

1. Feeds one LM7 or one LM5 remote LED lamp head.
2. Remote capability not available on units with HTR heater.
3. Feeds 2 LM7 or 2 LM5 remote LED lamp heads.
4. Single face sign with an extra stencil faceplate for double face applications.
5. Must specify either a IC, ICT or ICTA selection.
6. Some option combinations may impact the ETL Listing.
7. Consult Signify to confirm whether specific accessories are BAA-compliant.



TPC TruPath exit/unit combo

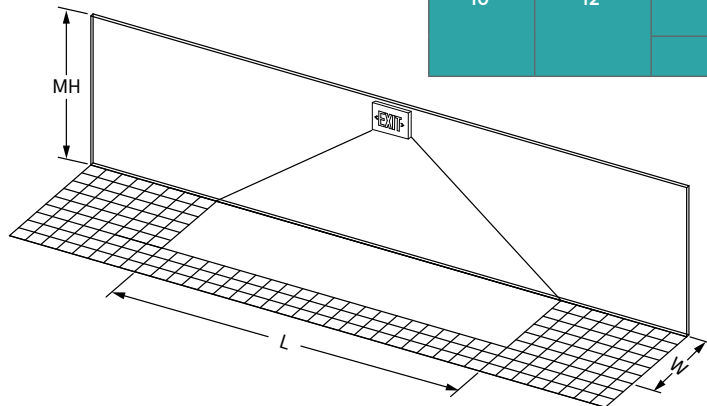
Dimensions



Performance

Meets Life Safety Code illumination standard; average of 1.0 FC, no point less than 0.1 FC, max to min ratio of 40:1. Assumes open space with no obstructions.

TruPath exit/unit combo performance							
		Industrial Application – single coverage Space: 200' x 200' x 30' – 10/10/10		Commercial application – single coverage 80/50/20			
Source	Mtg Ht	Path of Egress		Mtg Ht	Ceiling Ht	Path of Egress	
		Width	Length			Width	Length
6W LED wall mounted 244lm/lamp 1FC avg	8'	3'	32'	8'	9'	3'	36'
		6'	27'			6'	36'
		10'	20'			10'	28'
		18'	4'			18'	6'
	10'	6'	20'	10'	12'	20'	3'
		10'	12'			3'	28'
						6'	24'
						10'	18'
				14'	6'		



Codes and standards

- ETL Listed to UL standard 924
- TPCD models are ETL Listed for dry/damp locations.
- TPCW models are ETL Listed for wet locations and suitable for NSF (Standard 2 "Splash Zone" applications).
- IBC, BOCA, and OSHA illumination standard
- NFPA 70 (National Electric Code)
- NFPA 101 (Life Safety Code)
- TPCW meets NEMA 3X standard

Construction

- This product is constructed of high-impact resistant UL924 V-0.5VA polycarbonate material.
- NFPA compliant field selectable chevrons.
- Torx® T15 hardware with center pin reject provided as a standard.
- A tamper proof exit stencil face provides secure closure yet is easily accessible for installation, maintenance, and inspection.
- Available in white.

Installation

- The TPC exit/unit combo is available in single and universal configurations.
- A mounting canopy is available to accommodate surface, ceiling, and end mount (ordered separately).
- A universal knockout pattern is provided on the backplate for surface wall mounting. One conduit knockout provided on top of housing.
- A pendant mount adapter is available as an accessory (ordered separately).

Electronics

- 120/277 VAC dual voltage input with surge protection is standard on all models.
- TPC models include brownout detection, AC lockout, low voltage disconnect, AC Power indicator, charge status indicator, audible user-interface controls, visual LED system fault indicator, and tactile push to test switch.
- Additional equipment safety features include reverse battery polarity detection and protection, and reverse utility power detection and protection.

- Self-diagnostic Intelli-Charge (IC) circuit is standard, where the charging system is microprocessor driven with software embedded diagnostic routine and temperature compensation.
- TPC models include an on-board IR receiver for use with the optional hand-held remote (ICIR).
- Self-testing electronics (optional), The diagnostic/charging platform with optional self-testing mode automatically runs a one minute self-test every 30 days and a 30 minute test on the sixth and twelfth month in accordance with NFPA 101. A one minute or 90 minute test may be initiated via the push to test switch on the unit or by activating the appropriate test command on the optional IR test device.
- Operating temperature range: Standard location temperature range to 0°C to 40°C. Cold weather applications -35°C to 40°C (HTR option required).
- Power consumption
No remote capability:
Input - 120/277 VAC, 60Hz, .078/.043 amps
Remote capability:
Input - 120/277 VAC, 60Hz, .094/.063 amps:
Output - 4.8vdc, 14W

Lamps

- Illumination of the stencil face is accomplished with long lasting, high output Light Emitting Diodes (LEDs).
- Hot spots and striations are eliminated by the internal "light chamber" allowing for even illumination in normal and emergency situations.
- Average legend illumination levels exceed 25fl (79 cd/m²) during normal and emergency operation.
- Utilizes high performance LED lamps for providing emergency illumination.

Battery

- Maintenance free sealed nickel metal hydride battery.
- Provides a minimum of 90 minutes of emergency power.

Warranty

- Five year limited warranty on electronics, LEDs, and battery.

Diagnostic options

- **ICT** – The self-testing option enables a periodic self-test of the equipment where a test routine is established to perform a one-minute test once a month with a 30 minute test performed on the sixth and twelfth month in accordance with NFPA 101. Equipment readiness faults are indicated with a visual LED display.
- **ICTA** – The audible self-testing option enables a periodic self-test of the equipment where a test routine is established to perform a one-minute test once a month with a 30 minute test performed on the sixth and twelfth month in accordance with NFPA 101. Equipment readiness faults are indicated with a visual LED display and audible alarm.

Other options

- **BF** – This option enables the exit sign to buzz and flash together when the sign is operating under battery power. The buzzer and flashing rate is an approximate 50% duty cycle.
- **BZ** – This option enables the exit sign to buzz when the sign is operating under battery power. The buzzer rate is an approximate 50% duty cycle.
- **FA** – This option provides a two-wire harness for the electrical connection to the fire control panel. Should the fire panel activate an alarm, the exit sign will flash at a rate of approximately 50% duty cycle. The input is not polarity sensitive.
- **FL** – This option causes the exit sign to flash when the sign is operating under battery power. The flashing rate is approximately a 50% duty cycle.
- **EX** – The special input transformer option allows for input voltage and frequencies beyond the standard 120/277 VAC, 60Hz input.
- **HTR** – Heater for cold weather applications.

Buy American Act of 1933 (BAA):

This product is manufactured in one of our US factories and, as of the date of this document, this product was considered a commercially available off-the-shelf (COTS) item meeting the requirements of the BAA. This BAA designation hereunder does not address (i) the applicability of, or availability of a waiver under, the Trade Agreements Act, or (ii) the "Buy America" domestic content requirements imposed on states, localities, and other non-federal entities as a condition of receiving funds administered by the Department of Transportation or other federal agencies. Prior to ordering, please visit www.signify.com/baa to view a current list of BAA-compliant products to confirm this product's current compliance.

