

CHLORIDE

by  Signify

Emergency Backup

ZI series

ZIS100W



Project: _____
Location: _____
Cat.No: _____
Type: _____
Lamps: _____ Qty: _____
Notes: _____

Product Order Number: **ZIS100W**

Specifications

UL Listed for US and Canada

Listed to UL924 and tested to CSA 22.2 No. 141
Field or Factory Installation (Indoor and Damp)
Output Class 2 compliant

Maximum Connected Load Power

400W

Warranty

5 Years Full Coverage (not including battery)
3 Year Battery warranty, plus 7 years
additional pro-rating

Full Warranty

5 years (NOT pro-rate)

Illumination Time

90 Minutes

Input Charging Current

370 mA Max Charging

Output Voltage, Automatically Selected

120 VAC +/- 10%, or 277 VAC +/- 10%

AC Input Power Rating

45 W Max Charging

Charging Indicator Light/Test Switch

Integrated LED/test switch

Battery

Maintenance-Free Sealed Lead Acid Battery

Recharge Time

24 Hours

Temperature Rating (Ambient)

32° F to 104° F (0° C to 40° C)

Dimensions

12.562 x 9.812" x 4.675"
(319 mm x 249 mm x 119 mm)

Weight

25 lbs. With batteries installed

Special Features

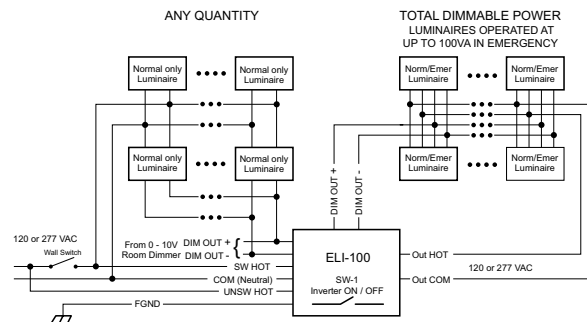
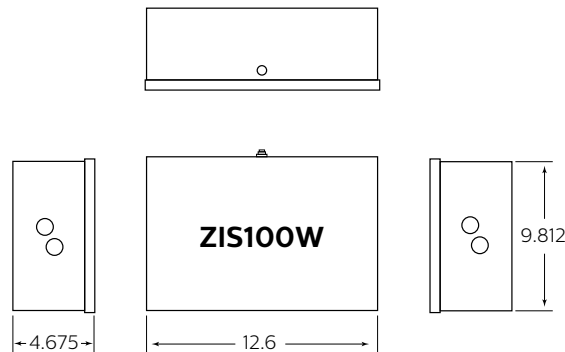
Fused Output Load Connections

Benefits:

- Automatic output voltage select
- Fused output load connections
- Works with LED and fluorescent fixtures
- Ideal for (but not limited to) screw-base LED lamps
- Auto Select feature helps reduce wiring errors
- Compatible with AC (line voltage) driven TLED lamps
- Remote-mounting up to 250 feet maximum

Dimensions

12.6' x 9.8' x 4.7" (319 mm x 249 mm x 119)



ZIS100W

Backup Inverter – 100W sinusoidal output with dimming capability

Application

The Chloride by Signify ZIS100W Emergency Lighting Inverter works in conjunction with a fluorescent or LED fixture to create an emergency lighting system. The ZIS100W operates a maximum load of 100 W at unity power factor. It allows the connected fixture(s) to be on, off, switched or dimmed without affecting emergency operation. Each unit consists of two sealed lead acid batteries, charger and electronic circuitry in one steel case. The ZIS100W provides power to the input side of the fixture, including AC ballast/driver, and can be used with indoor or outdoor emergency fixture applications. The ZIS100W is not suitable for use with HID sources.

Operation

Upon failure of normal power, the ZIS100W instantly begins providing emergency power to the connected lighting load for a minimum of 90 minutes. A solid-state low voltage disconnect circuit protects the inverter battery from severe damage by deep discharge during prolonged power failures. When normal power is restored, the ZIS100W automatically returns to charge mode. The battery capacity is fully restored in 24 hours. Isolated dry-contact relays (2 each) are also provided to override local dimming controls used in normal mode, when luminaires are driven from AC power mains.

Dimming

The ZIS100W features a dimming control output of 0-10 volts. This dimming capability allows a higher power fixture to operate at a dimmed 100 W maximum emergency-mode lighting level – or, alternately, it allows a string of multiple fixtures to be driven in emergency mode at a combined 100 W maximum. For example, four 100W LED fixtures may be connected to one ZIS100W and dimmed for emergency operation to 20% of normal power, with each LED fixture supplying 20W of output power (20W x 4 = 80W).* The emergency mode output dimming voltage is field settable in 5 steps to provide nominally 20%, 40%, 60%, 80%, or 100% light output. The installer will set the dimming level by operating the dip switches which are located at the lower center section of the circuit board. See illustrations.

*Note: Dimming drivers are less efficient at reduced power. This inefficiency must be accounted for in the design.

Installation

The ZIS100W does not affect normal fixture operation and may be used with a switched or unswitched fixture. It can be installed in close proximity to the fixture or remote from the fixture (up to 250 feet).

Emergency Illumination

The ZIS100W supports emergency illumination for a minimum of 90 minutes. At a maximum of 100 W the ZIS100W will provide input power to ballasted lamp supporting 100% of the AC rated output throughout the 90-minute emergency illumination period.

Specification

Emergency lighting shall be provided by using a standard fixture equipped with a Philips Chloride ZIS100W. Each unit consists of two maintenance free sealed lead acid batteries, charger and electronic circuitry contained in one 12.562" x 9.812" x 4.675" metal case. The ZIS100W unit shall be capable of powering any fluorescent or LED lighting fixture rated at a maximum of 100 W at 0°C to 40°C for a minimum 90 minutes regardless of local switch position. The ZIS100W shall allow the connected fixture(s) to be on, off, switched or dimmed without affecting emergency operation. The ZIS100W unit shall exceed emergency standards set forth by the current NEC and CEC. It shall be UL Listed (Pending) for factory or field installation.

